



The Six Fade - 6 Channel DMX Sliding Fader Console

An extremely simple and easy to use 6-channel DMX fader console for controlling 6 channels of DMX. A perfect companion for simple permanent installations with its DIN-rail mount adaptor as well as on-the-go testing with its built-in AAA battery holder. Outputs DMX-512 via its XLR 5 female connector as well as terminal block. Power it via the on-board battery pack or any external 5 ~ 24 VDC power source.

- Ideal cost efficient 6 channel mini DMX fader console
- Easy to use
- Suitable for permanent installations by using available brackets or mounting holes
- Ideal for sample testing and trouble-shooting on-site or at workshops
- Powered by 3 x AAA batteries or external 5-24V power-supply
- 3 digit LED screen 0 -100% or DMX000 -DMX255 (settings by dip-switch)
- 6 channel mode, 5 channel mode or master mode (settings by dip-switch)



Input
5-24VDC or
3 x AAA



Output
DMX512



Weight
0.304kg



Resolution
8 / 16 Bit



IP Rating IP 20
Indoor Only



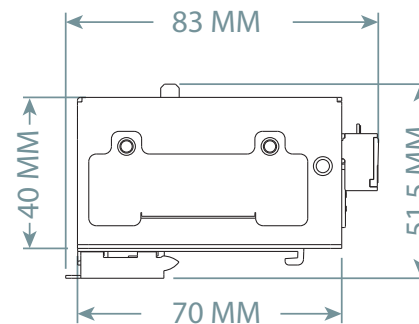
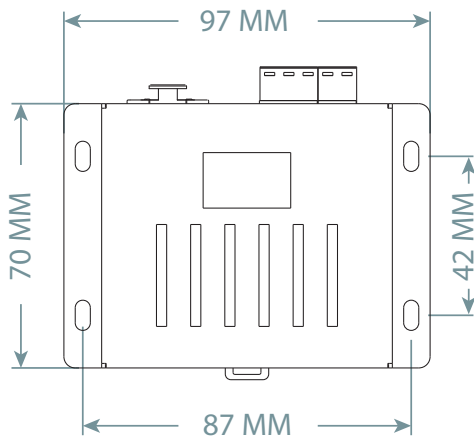
Temperature Range
-30° C to + 55° C
-22° F to + 131° F



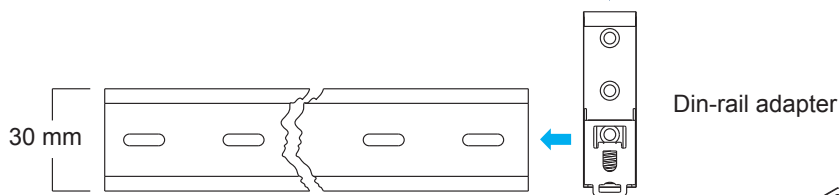
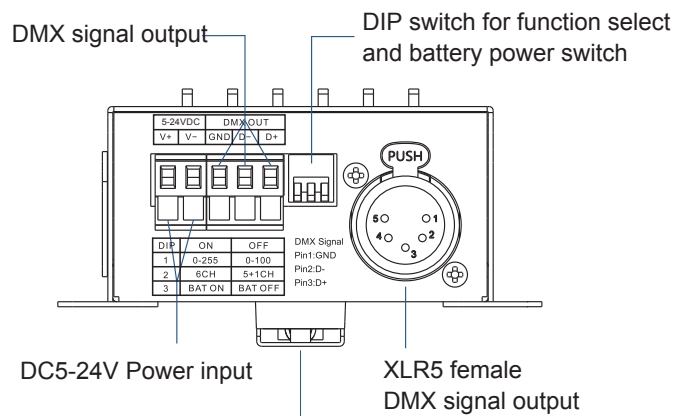
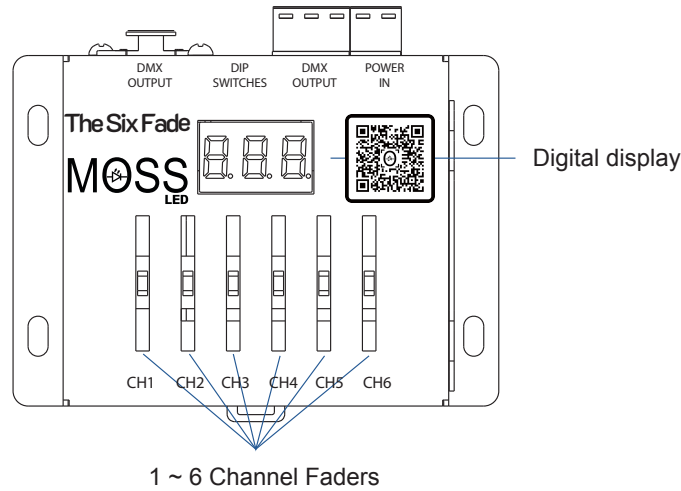
DMX - 512/1990
Digital Signal



Dimensions
L 97 mm 3.8"
W 70 mm 2.7"
H 40 mm 1.6"

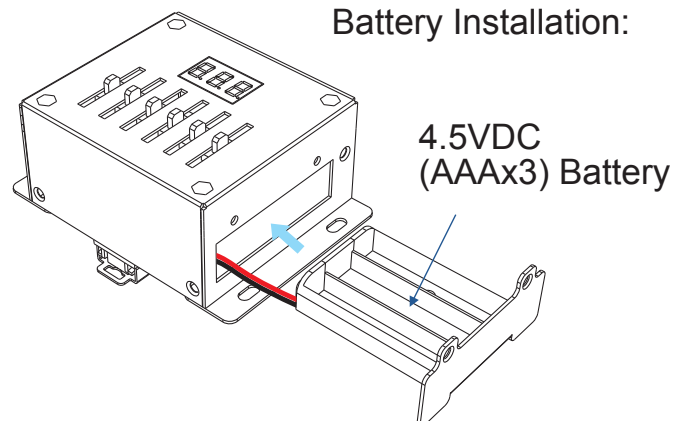


DIMENSIONS AND INSTALLATION



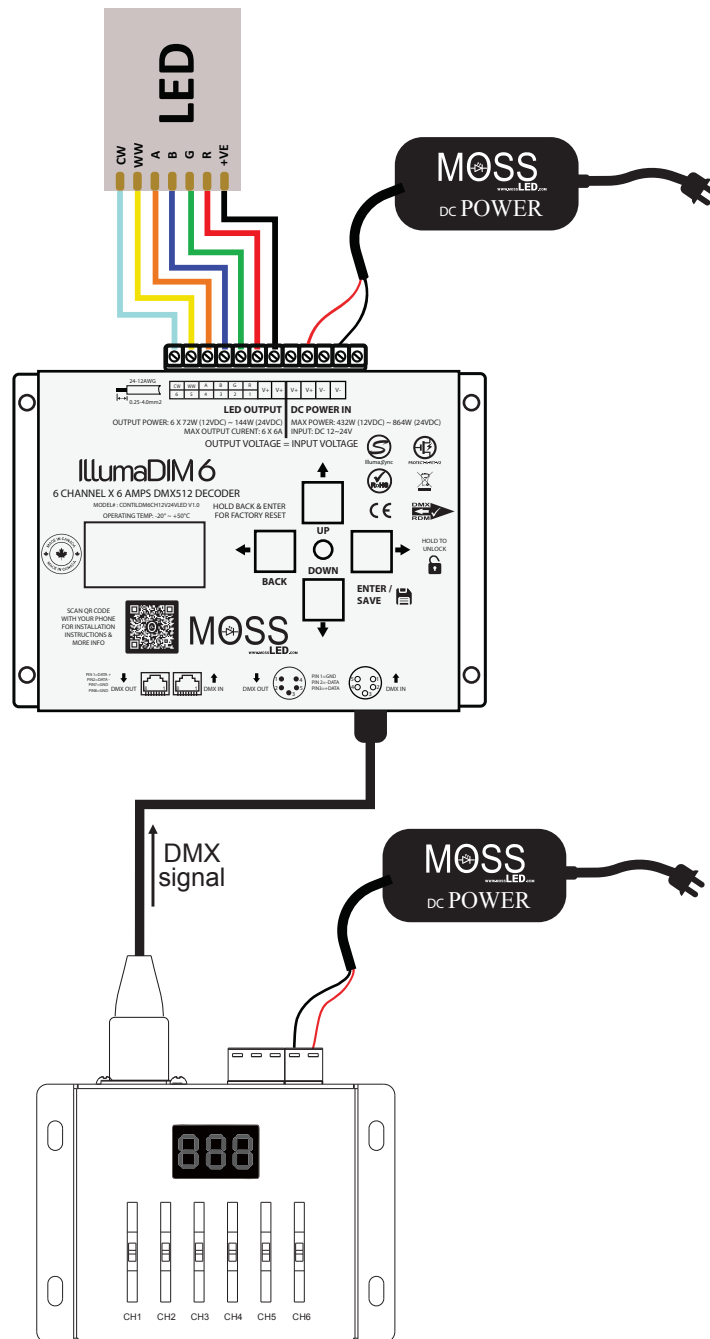
DIN Rail Mounting Size:
TS-35/7.5 or TS-35/15

Battery Installation:



WIRING DIAGRAM

Note: The two DMX decoder first address need be set as 1 and 4, each decode 3 channel DMX data.



Note: The Six channel fader dimmer can output 6 channels of DMX to any receiver, it does not require an IllumaDIM 6.

TECHNICAL SPECIFICATIONS

INPUT	5-24VDC or 3 x AAA Battery
OUTPUT SIGNAL	DMX512
OUTPUT CHANNELS	6
CURRENT	<10mA
SAFETY EMC	ETSI EN 301 489-1 V2.2.3 ETSI EN 301 489-17 V3.2.4
RADIO EQUIPMENT	RED ETSI EN 300 328 V2.2.2
BIT RATE	8 BIT
AMBIENT TEMPERATURE	-30°C to +55°C
IP RATING	IP20 (Indoor Use Only)
WEIGHT	0.304KG (0.67LBS)
DIMENSIONS	L 97 X W 70 X H 40 MM (3.82" X 2.76" X 1.57")
CERTIFICATION	CE, EMC, RED
UPC Code	055841502299

DIP SWITCH FUNCTION

1. DIP switches 1 and 2 set the mode (0-255 or 0-100 & 6-Channel or 5-Channel with Master Mode)



1 = ON: 0-255 screen
2 = ON: 6-Channel mode



1 = ON: 0-255 screen
2 = OFF: 5-Channel & Master mode

6-Channel Mode:
The DMX Console provides 6 individual Channels



1 = OFF: 0-100 screen
2 = ON: 6-Channel mode



1 = OFF: 0-100 screen
2 = OFF: 5-Channel & Master mode

5-Channel & Master Mode:
The DMX Console provides 5 individual Channels & Master Mode
No. 6 = Master 0-100% Brightness

2. DIP switch 3 is used to choose battery power option



3 = ON: Battery power on
3 = OFF: Battery power off