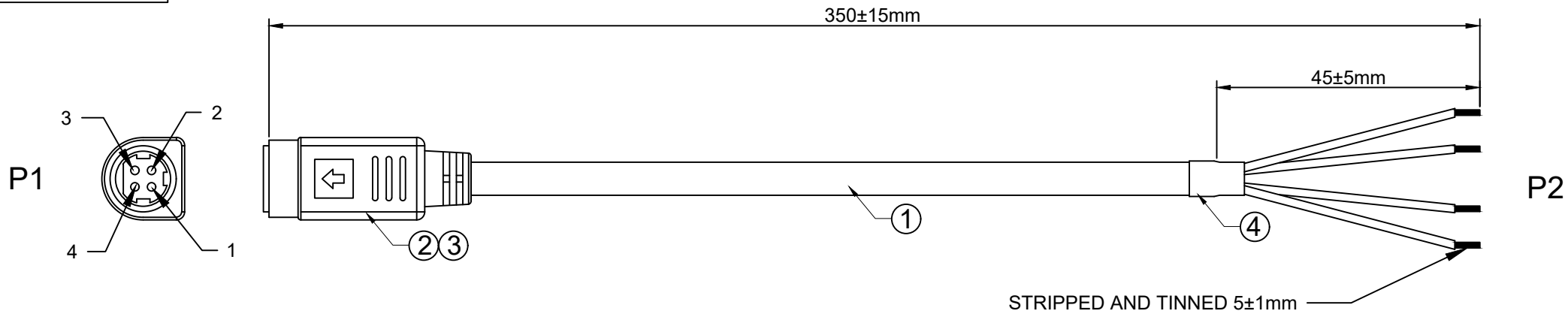


RoHS Compliant



PIN ASSIGNMENT

P1	P2
1-----	BLUE
2-----	BLACK
3-----	WHITE
4-----	RED

NOTES:  
 1. PIN ASSIGNMENT SEE WIRE LIST.  
 2. ELECTRICAL TEST CONDITION:  
 (a).100%OPEN,SHORT & MISWIRE TEST,  
 (b). INSULATION RESISTANCE:10 MEGA OHM MIN.  
 DC 300V 1 MINUTE.  
 (c) CONTACT RESISTANCE: 10 MILLI OHM MAX.  
 3. RATED: DC 48V 7.5A MAX.

4	H/S TUBE 6.0*15mm BLACK	
3	OVERMOLD BLACK PVC 45P MA-001.	
2	POWER LOCK MINI DIN 4PIN FEMALE	
1	16AWG (26/0.254) *4C+AE OD:7.5MM BLACK PVC JACKET UL2464.	
NO.	Description	P/N

DWG NO:	PCM-0452	GOODS CODE		Draw	Jason	Date	2023/3/22
ITEM NO.		DRAWING EVIDENCE		Check		Date	
Goods NO.	POWER 4F-OPEN			Approval	NC	Date	2023/4/22
Original NO.	Unit(mm)						

MOSS LED INC.				D		
				C		
				B	16#	2023/3/22
				VER.A	18#	2023/3/02