



Quad-LED HC

High Current 4-Channel DMX Dimmer



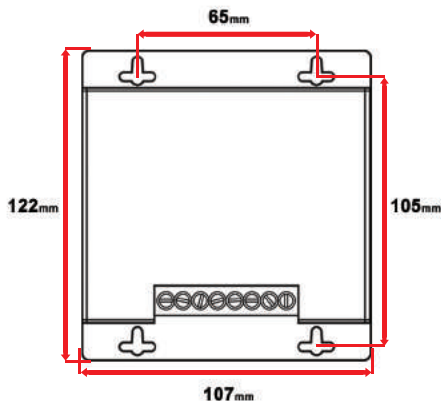
SKU: CONTDMX4CH12V24VLCDHC



Introducing the Quad-LED High Current DMX Dimmer. This dimmer is an excellent addition to our lineup of highly reliable, rugged, LED dimmers. Designed for use on-camera it has adjustable frequency settings to be which allow for flicker-free dimming use on camera in a variety of camera settings. It features high current capacity terminals allowing for up to 10A per channel for a maximum of 40A for the entire dimmer. (UL standards 8A/channel & maximum 25A for entire unit)

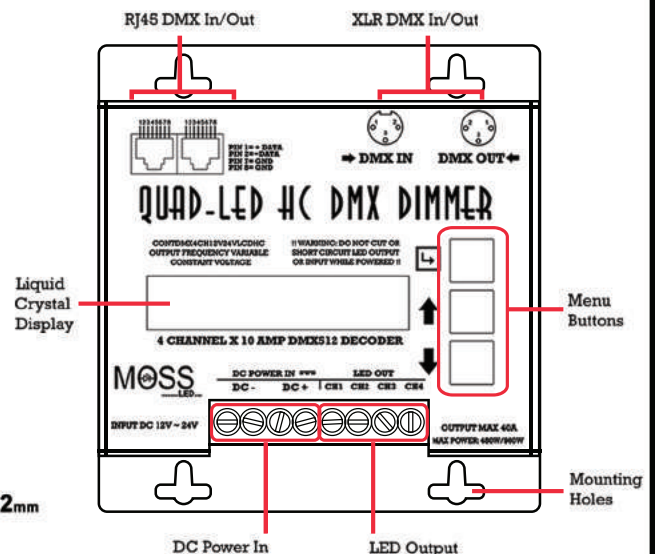
FEATURES

- This device converts standard DMX-512/1990 standard digital signal into four PWM dimmable channels
- Three frequency settings of 2.4khz, 4.8khz, and 9.6khz
- Suitable for on-camera use, or anywhere a high-quality, reliable dimming is required
- DMX Connection via industry-standard RJ45 (ethernet) and 5-PIN XLR connections
- Can create millions of colour combinations when used with our RGBA, RGBW, or RGB products
- LCD interface provides easy functionality for DMX addressing as well as offers manual control mode and test control options.
- LED Driver (power supply), cabling, and LEDs are sold separately



Technical Information

Output Current (A)	: 4 CH @ 10A/CH = Max 40A (4 CH @ 8A/CH = Max 25A for UL Standards)
Output Power (W)	: 480W @ 12V / 960W @ 24V (384W @ 12V / 678W @ 24V for UL Standards)
Supply Voltage	: DC12V - DC24V
Size (inches)	: L 4.8" x W 4.2" x H 1.2"
Working Temperature	: -0°C to + 70 °C
Bit Rate	: 8 Bit
Weight	: 400g
IP Rating	: IP40
PWM Frequency	: 2400Hz / 4800Hz / 9600Hz
IP Rating	: IP40



For further information or pricing please contact
MOSS LED or your local authorized reseller.

www.mossled.com

1.800.924.1585 - 416.463.6677 - info@moss-

