

FlexTron24 & OmniFlex 360 System

The FlexTron24 consists of a flexible linear outdoor-rated IP67 LED pixel luminaire and an sACN / Artnet power and control unit designed for the professional market.

The **FlexTron24** pixel controller is a 4-output device that is capable of powering 4 X 6 meters (19.68') of OmniFlex 360 Pixel Product via a waterproof twist-lock cabling system. Input data in the form of sACN, Artnet and DMX512 protocols is achieved via its onboard ethercon connectors. Linking FlexTron P3 control units are easy via their industry standard in/out ethercon and TRUE1 TOP connectors. Configuration is easy via any modern web browser. The FlexTron's P3 Control unit is narrow and low-profile enough to fit easily inside of truss for quick and inconspicuous mounting. Accessories include mounting clamps, safety chains, True1 cabling, ethercon cabling and DC cabling.

The **OmniFlex 360** tube-shaped pixel luminaire is a high-density fully smoked or white diffused flexible product that is available in 0.5, 1, 2, 3, 4, or 5 meter lengths. When not illuminated, the smoked product disappears against black surfaces and in dark environments. This allows for the product to be 'turned off' when required. Accessories include clear and black mounting brackets, joiners and straight mounting channel for endless creativity. Input and output cables are mounted sideways so as to allow the OmniFlex to be flush against the input and output of each tube.



24V DC	360° VIEWING	5 years	Video Mappable	0.5M (1.64')	1M (3.28')	2M (6.56')	3M (9.84')	4M (13.12')	5M (16.4')
UL LISTED E489028	RoHS	CE	IP65 OUTDOOR	RGB+W PIXEL	FLICKER FREE LED	sACN ARTNET DMX512			

LEARN MORE



Scan to Learn More
About the FlexTron24
Pixel Controller

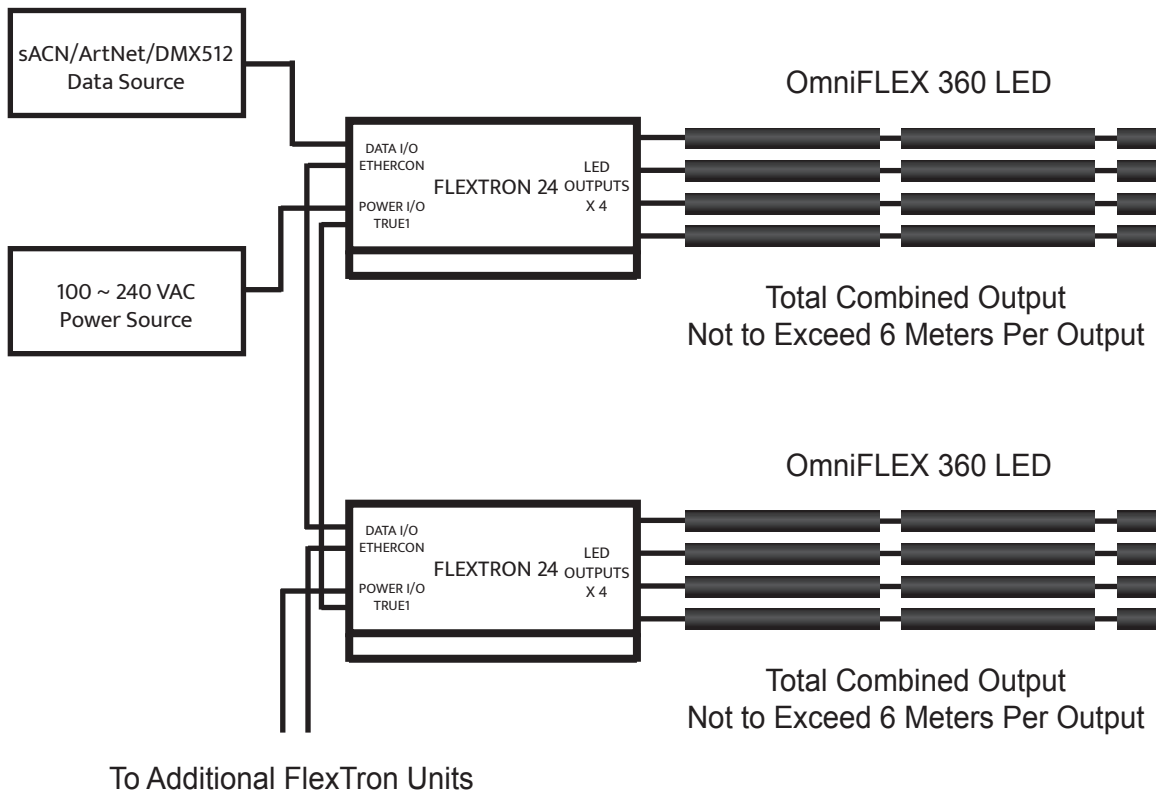


Scan to Connect
with MossLED



Scan to Learn More
About the OmniFlex 360
LED Tubes

WIRING DIAGRAM



DIMENSIONS

