

FlexLED Bi-Colour 2700K - 6000K 24V (CCT Adjustable)

Two versions of our bi-colour FlexLED are now available. 120 LED/meter (12MM Width) standard as well as 196 LED/meter (10MM Width) high output version. Both versions utilize the same high brightness and high CRI 3528 chip that is on all of our PRO high CRI FlexLED. The 196 LED/meter is ideally suited for areas where high output in a very tight space is required. The 196 LED/meter is designed to be installed onto a metal heat sink for longevity purposes. The 120 LED/meter can be installed on virtually any surface and still provide nominal output for many tens of thousands of hours of use.

Both versions are suitable for residential, television, industrial, and commercial applications where high CRI white output is required.

The 120 LED/meter at 5 meters falls into a class 2 specification drawing a total of 94 watts when powered from one end. (100 watts when powered from both ends)

The 196 LED/meter at 5 meters is above a class 2 specification and draws 139 watts when powered from one end. (166 watts when powered from both ends)

Single bin LED chip ensures CCT accuracy within +/- 100k.

TESA 4965 high tack double-sided tape on the back makes installation as easy as peel n stick.

Controller, Power supply and Extension Cables are sold separately. Custom Color Temperatures are available.



120 LED/meter



196 LED/meter

≥95 CRI	24V DC	120° BEAM ANGLE	5 years	Dimmable	5M (16.4')	CUSTOMIZED LENGTHS
UL LISTED E489028	RoHS	CE	PCB Width 10MM, 12 MM	IP43 INDOOR	White	CCT Adjustable

TECHNICAL SPECIFICATIONS

NO:		Bi-Colour			
1	PRODUCT TYPE	BI-COLOR 120	BI-COLOR 196	BI-COLOR 240	BI-COLOR 480
2	PRODUCT CODE	I24VBC27606003528	I24VBC27609803528	I24VBC276012003528	I24VBC276024003528
3	CRI / TLCI	≥95			
4	COLOUR TEMP. OR WAVELENGTH	2700K - 6000K			
5	PCB COLOUR	WHITE			
6	CURRENT, RATING	0.79 A / METER	1.4 A / METER	1.59 A / METER	
7	VOLTAGE	24 VDC			
8	WATTAGE	19.2 W / METER	33.6 W / METER	38.4 W / METER	
9	WATTAGE @ 5M (POWERED AT ONE END)	94 W	139 W	165 W	163 W
10	WATTAGE @ 5M (POWERED AT BOTH ENDS)	100 W	166 W	185 W	179 W
11	CC / CV		CONSTANT VOLTAGE		
12	IP RATING	IP43			
13	LUMENS/METER@FULL	2700K: 859lm; 6000K 1008m Combined 4000K: 1800lm	2700K: 1400lm; 6000K: 1700lm COMBINED 4000K: 3,100lm	2700K: 1610lm; 6000K: 1955lm COMBINED 4000K: 3565lm	
14	LUMEN / WATT	94			
15	LIFETIME*	50,000 HOURS	30,000 HOURS		
16	CUTTING LENGTH	10 CM	7.143 CM	5 CM	2.5 CM
17	LEDS/METER QUANTITY	120 LED / METER	196 LED / METER	240LED / METER	480LED / METER
18	NUMBER OF CONTACTS	3			
19	LED TYPE	2835			
20	PCB COPPER QUANTITY	3 Oz.			
21	OPERATING TEMPERATURE RANGE	-40° TO + 70° C			
22	AGENCY RATINGS	UL - E489028, CE, RoHS			
23	PCB WIDTH	12 MM	10MM	12 MM	28 MM
24	MAXIMUM RECOMMENDED LENGTH	10 METERS	5 METERS		
25	VIEWING ANGLE	120°			
26	ADHESION	TESA 4965			3M 200MP

* - NOMINAL LIFETIME BASED ON IDEAL INSTALLATION LOCATION CONDITIONS & ASSUMING MAXIMUM OF 16 HOURS PER DAY OF USE

TECHNICAL SPECIFICATIONS

FLEXLED BI-COLOUR SKU ORDERING CODES

-	I	24	V	BC2756	600	3528	-	-	-
1	1	3	4	5	6	7	8	9	10
Series	IP Rating (IP43)	Operating Voltage	Voltage	Colour Temperature Range	LED Qty.	LED Chip	PCB Colour	PCB Coating	Connector

1 Family Series -	2 IP Rating I IP41 - Indoor Use Only O IP67 - Weatherproof Sleeve W IP68 - Waterproof	3 Voltage 24V 24VDC (Standard) 12V 12VDC (Optional) 5-36V Custom Order	4 Voltage Type V Constant Voltage (Standard) C Constant Current (Optional)	5 Colour Temperature Range BC2756 Bi-Colour 2700k - 5600k BC3056 Bi-Colour 3000k - 5600k BC2760 Bi-Colour 2700k - 5600k
6 LEDs per 5 meter Reel 600 120 LED/meter (600 LEDs) 980 196 LED/meter (980 LEDs) 1200 240 LED/meter (1200 LEDs)	7 LED Chip 3528 3528 Chip Size	8 PCB Colour Options - White (Standard - Not Shown) B Black (Optional) G Green (Optional) R Red (Optional) Y Yellow (Optional) L Blue (Optional)	9 PCB Coating - No Coating (Standard) GS ENIG Gold Series	10 Connector - No Connector (Standard) DC DC Barrel Connector 5PM 5P Male Connector

Lead time for custom products are typically 6 - 8 weeks. Please contact us to discuss your project requirements.

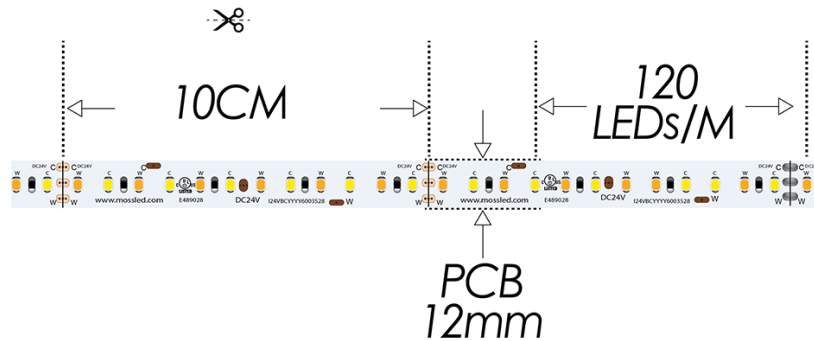
INSTALLATION NOTES

Follow all instructions on bag label
 Install indoor product in dry locations only
 Weatherproof is rated at IP67 and Waterproof is rated at IP68.
 Waterproof FlexLED must be mounted using silicone (not provided)

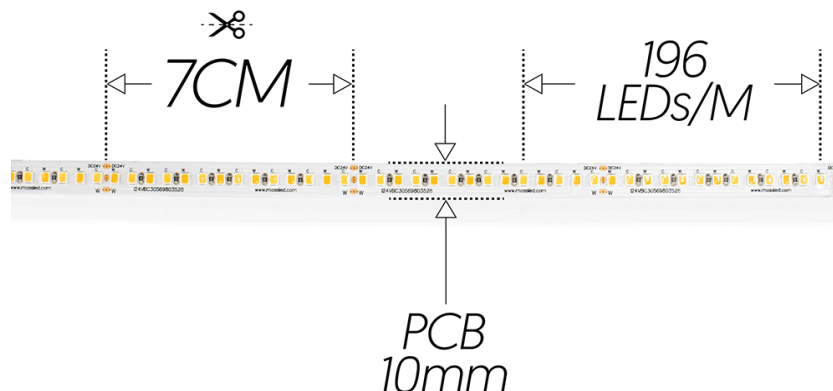
Soldering Guidelines:

Soldering iron should be between 360°C and 372°C.
 Please ensure not to heat each solder pad for longer than 3 seconds otherwise separation of the solder pads can occur.

120 LED/meter Dimensional Diagram

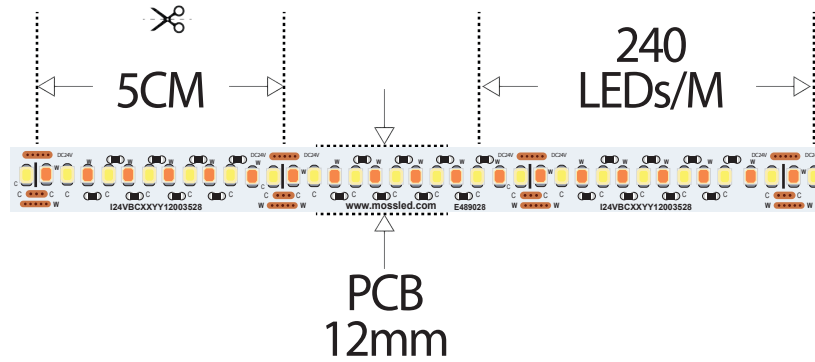


196 LED/meter Dimensional Diagram

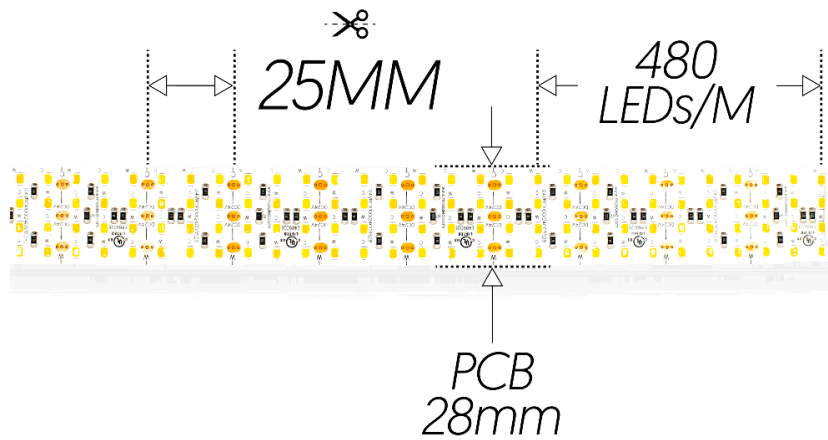


TECHNICAL SPECIFICATIONS

240 LED/meter Dimensional Diagram



480 LED/meter Dimensional Diagram



Notes :