



# ILLUMA DIM6 6 Channel DMX LED Dimmer

The ILLUMA DIM6 DMX Dimmer is the first LED dimmer of our ILLUMA DIM series. A new product lineup of highly reliable, rugged & smart LED Dimmers with more capabilities and more features than any other LED dimmer on the market.

Designed for use on-camera, for theatrical uses, or anywhere that high-precision dimming is required.

Two new game-changing features including Protect-a-Fet 2.0 and ILLUMASync. Protect-a-Fet 2.0 is more rugged than ever with smart technology that senses which channel has the short circuit or overload issue to help troubleshooting. ILLUMASync allows a user the ability to batch-update settings to multiple controllers at the same time. This saves the user from having to manually change settings one at a time, at each controller.

Adjustable output PWM frequency settings which allow for flicker-free dimming for use on camera in a variety of camera settings. The on-board GUI menu allows easy access for DMX mode, Manual mode, Test mode and all other features. All these features and more are also accessible via RDM.

A 3 second push-to-unlock function which prevents accidental adjustments.



**Input**  
36A MAX  
12V to 24V DC

**Output**  
36A MAX  
6CH @ 6A/CH  
12V to 24VDC

**PWM Frequency**  
1kHz ~ 35kHz

**Resolution**  
8-Bit & 16-Bit

**IP Rating** IP 20

**Temperature Range**  
-20°C to +50°C  
-4° to 122° F

**DMX - 512/1990**  
Digital Signal  
RDM

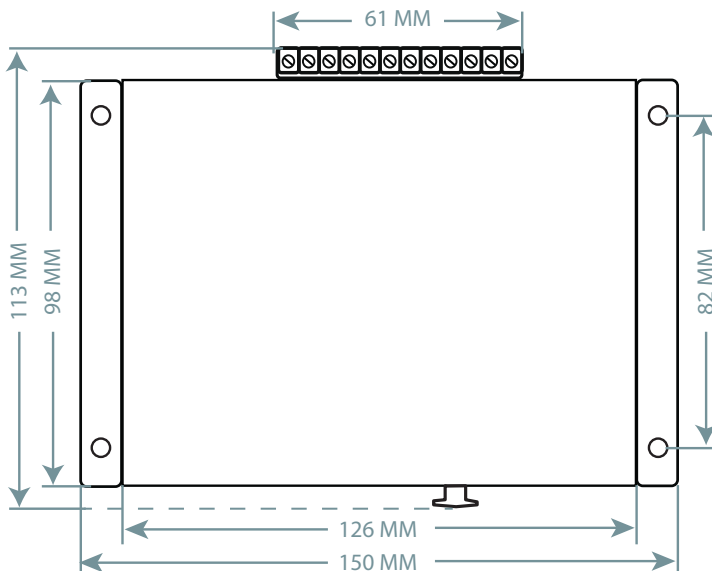
**Dimensions**  
L 113 mm 4.45"  
W 150 mm 5.91"  
H 40 mm 1.57"

**Over-Current Protection**

**Weight**  
300g

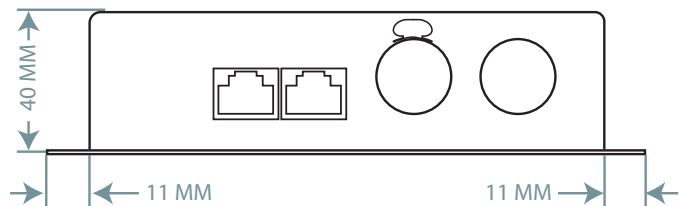
**ILLUMASync**  
Batch Settings Updater

**OLED**  
Graphic OLED Display



SKU: CONT | ILDM | 6CH | 12V24V | LED  
Controller | Series | Number of channels | Input voltage | Style

**DO NOT** install with power applied to device.  
**DO NOT** expose device to excessive moisture.  
Indoor use only.



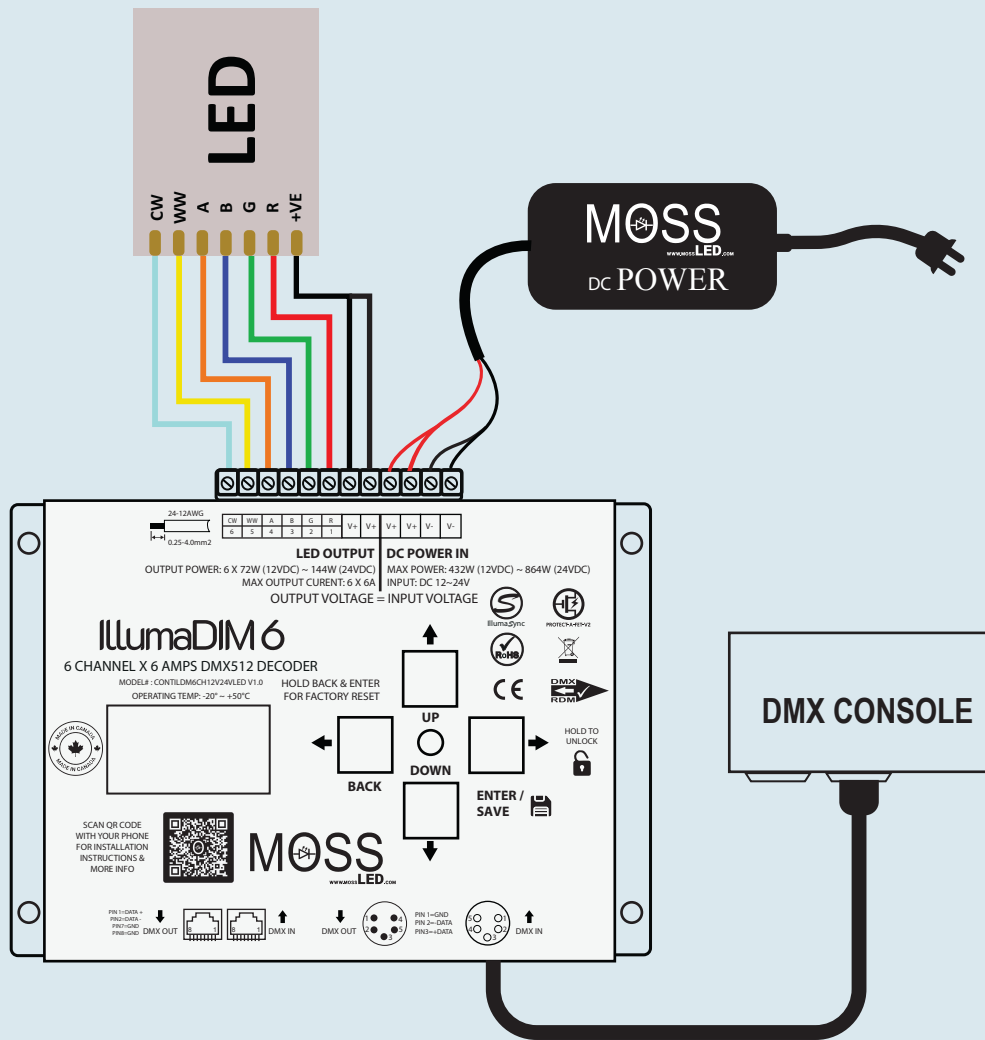
## FEATURES

- 6CH with 6Amp per Channel
- Optically Isolated DMX512
- RDM with Advanced Features
- 1kHz to 30kHz PWM frequency
- Gamma correction 0.1 to 10
- 8bit or 16bit DMX operation
- 1 to 6, 2 to 6, 3 to 6, 6 to 6 DMX address personality
- Output voltage spike protector for longer LED life
- Line voltage sensor
- Internal DMX termination selectable from GUI or RDM
- Dithering available for DMX
- Decimal and % input for Manual values
- Save to Manual from DMX
- Save to preset from DMX or Manual values
- Master brightness control for Manual values
- Three preset memories for channel values
- OLED graphical display with brightness control and timeout
- Keyboard lock function
- RGB status led
- Overload detection on powering up
- Short circuit protection with channel identification
- Built-in test modes selectable from GUI or RDM
- Soft and Hard reset from RDM
- Factory reset
- Software update over DMX
- Group settings update over DMX using IllumaSync app

## TECHNICAL SPECIFICATIONS

Input	12 to 24VDC – 36A max.
Output	12 to 24VDC – 6 channels at 6A/ch max (output V follows input V)
Total Maximum Power	432W at 12V and 864W at 24V
DMX In/Out	XLR5 & RJ45
Power In/Out	12 position pluggable terminal block
Gamma Settings	From 0.1 to 10 in 0.1 increments
IP Rating	IP20 (Indoor Use Only)
PWM Frequency	Adjustable from 1kHz ~ 35kHz
Working Ambient Temperature	-20°C to + 50°C -4° to 122° F
Size	L 150 mm 5.91" W 113 mm 4.45" H 40 mm 1.57"
Weight	300g

# WIRING DIAGRAM



# Illumadim6 Flow Chart

