



IllumaDIM6 6 Channel DMX LED Dimmer

The IllumaDIM6 DMX Dimmer is the first LED dimmer of our IllumaDIM series. A new product lineup of highly reliable, rugged & smart LED Dimmers with more capabilities and more features than any other LED dimmer on the market.

Designed for use on-camera, for theatrical uses, or anywhere that high-precision dimming is required.

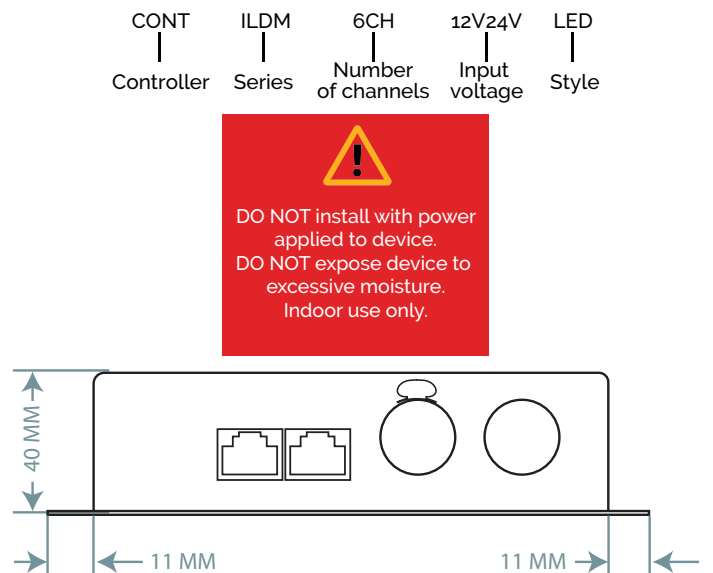
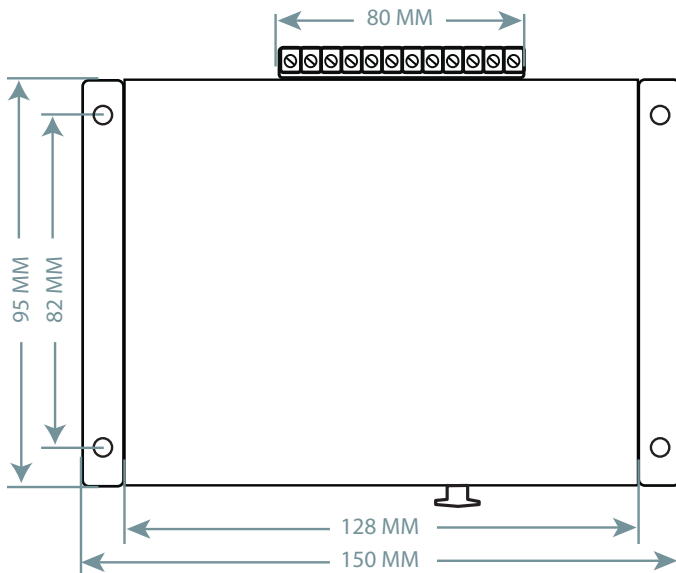
Two new game-changing features including Protect-A-Fet 2.0 and IllumaSync. Protect-A-Fet 2.0 is more rugged than ever with smart technology that senses which channel has the short issue to help troubleshooting. IllumaSync allows a user the ability to batch-update settings to multiple controllers at the same time. This saves the user from having to manually change settings one at a time, at each controller.

Adjustable output PWM frequency settings which allow for flicker-free dimming for use on camera in a variety of camera settings. The on-board GUI menu allows easy access for DMX mode, Manual mode, Test mode and all other features. All these features and more are also accessible via RDM.

A 3 second push-to-unlock function which prevents accidental adjustments.



Input 36A MAX 12V to 24V DC	Output 36A MAX 6CH @ 6A/CH 12V to 24VDC	PWM Frequency 1kHz - 30kHz	Resolution 8-Bit & 16-Bit
IP Rating IP 40	Temperature Range 0° to ~ 70°C 32° ~ 158° F	DMX - 512/1990 Digital Signal RDM	Dimensions L 110 mm 4.33" W 150 mm 5.91" H 40 mm 1.57"
Over-Current Protection	Weight 300g	IllumaSync Batch Settings Updater	Graphic OLED Display



DO NOT install with power applied to device.
DO NOT expose device to excessive moisture.
Indoor use only.

FEATURES

- 6CH with 6Amp per Channel
- Optically Isolated DMX512
- RDM with Advanced Features
- 1Khz to 35Khz PWM frequency
- Gamma correction
- 8bit or 16bit DMX operation
- 1 to 6, 2 to 6, 3 to 6, 6 to 6 DMX address personality
- Output voltage spike protector for longer LED life
- Line voltage sensor
- Internal DMX termination Selectable from GUI or RDM
- Dithering available for DMX
- Decimal and % input for Manual values
- Save to Manual from DMX
- Save to preset from DMX or Manual values
- Master brightness control for Manual values
- Three preset memories for channel values
- OLED Graphical display with brightness control and timeout
- Keyboard lock function
- RGB status led
- Overcurrent or Overload detection on powering up
- Short circuit protection with channel detection
- Built-in test modes selectable from GUI or RDM
- Soft and Hard reset from RDM
- Factory reset
- Software update over DMX
- Group settings update over DMX using IllumaSync app

TECHNICAL SPECIFICATIONS

Output Power (W)	6 Amps per Channel (36A MAX)
Supply Voltage	12V ~ 24V DC
Connections	DMX IN/OUT: XLR5 & RJ45 POWER IN/OUT: Terminal Block
Working Temperature	-20°C to + 50°C
Resolution	8 Bit or 16 Bit
Weight	300g
IP Rating	IP40 (Indoor Use Only)
PWM Frequency	Adjustable from 1kHz ~ 35kHz
Size (inches)	L 110 mm 4.33" W 150 mm 5.91" H 40 mm 1.57"

WIRING DIAGRAM

