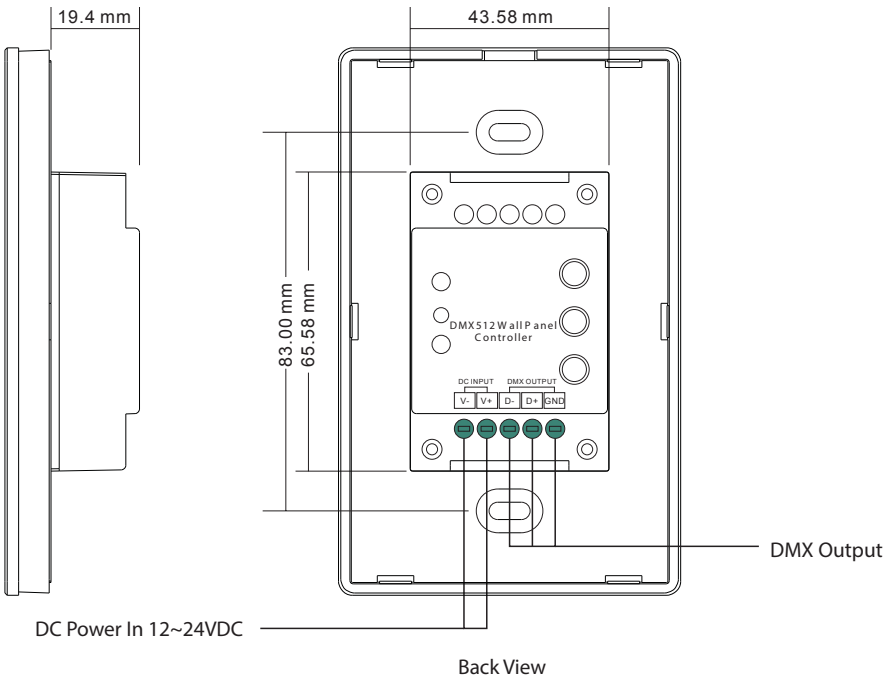
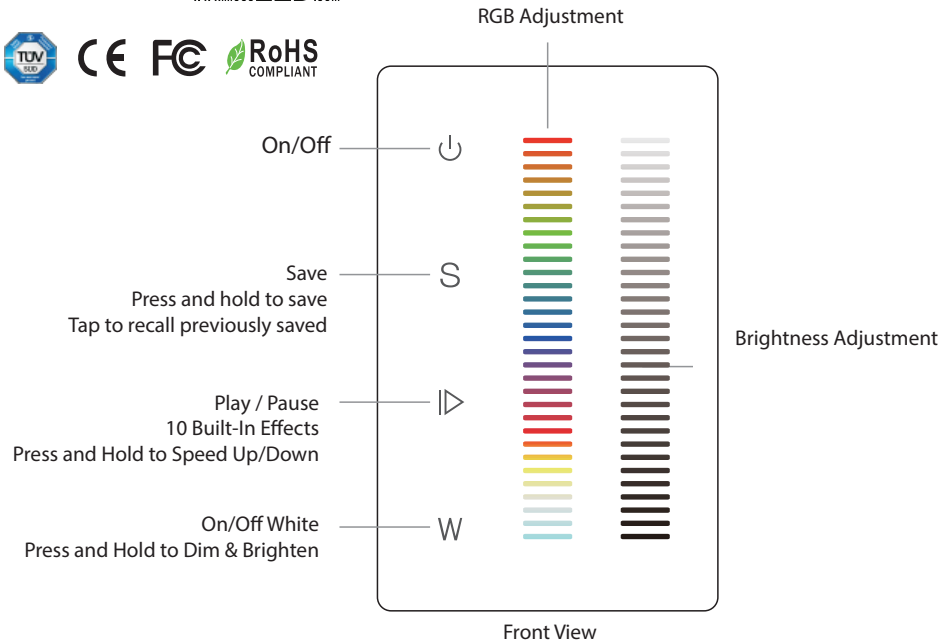


Please Read All Instructions
Prior to Installation

MODEL:
CONT-WD-DMX-RGBW



Technical Specifications

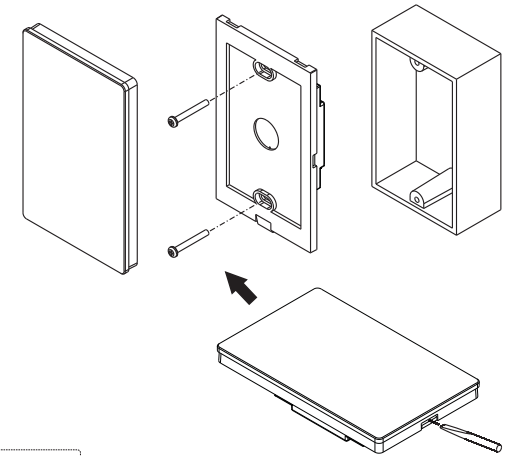
Output Signal	DMX512 signal
Power Supply	12-24VDC
Power consumption	< 20 mA
Operating temperature	0-40°C
Relative humidity	8% to 80%
Dimensions	75x120x29.1mm

- Touch sensitive
- Glass interface(white & black)
- Standard DMX512 Signal output
- Control RGBW color
- Control 1 zone
- Waterproof grade: IP20

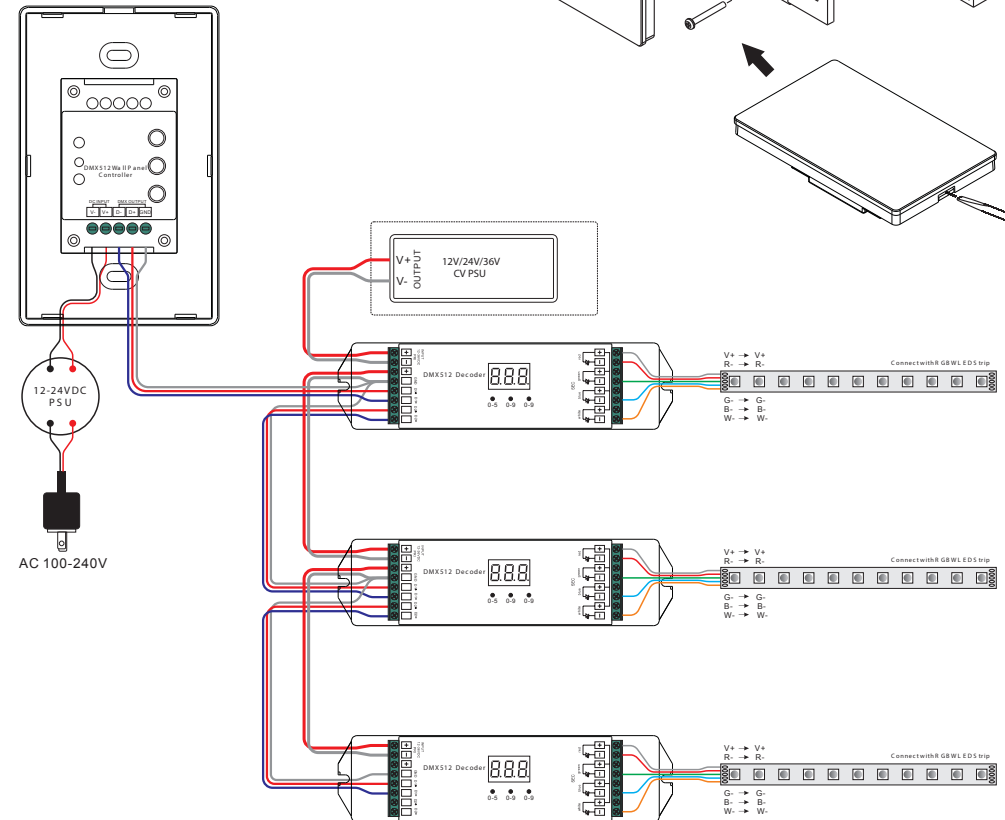
PRECAUTIONS

- Do Not Install While Powered
- For Use In Dry Environments Only

INSTALLATION METHOD



WIRING DIAGRAM



- The DMX Output Address for this unit cannot be changed. It is factory set to output DMX values 001 -> 004